

HOSPITAL GROUND CORDS AND HOSPITAL GROUND JACKS

■ Applications

Hospital Grade devices
for supply and grounding of
portable equipment

■ Features

- Hospital Ground Cords
 - Various lengths available
 - Highly flexible wire with a
heavy duty clip or lug
- Hospital Grade Ground Jacks

■ Standards

UL Listed Product (UL1047)

■ Warranty

Industry's first 5 year
limited warranty



HOSPITAL GRADE
GROUND CORDS
AND
HOSPITAL GRADE
GROUND JACKS

Selection Guide for Hospital Grade Ground Cord (Type HGC) and Hospital Grade Ground Jack (Type HGJ-1R)

When selecting the power and grounding module for your application, use the product code below. If you have any questions or need further assistance, please call us using our toll-free number: (800) 833-6834.

Please note that not all codes are applicable for the ground jack.

Code A - Basic Designation

HGC: Hospital Grade Ground Cord

HGJ: Hospital Grade Ground Jack

Code B - Length of Ground Cord (HGC only)

Designate desired length in feet

Code C - Termination of Cable Ends (HGC only)

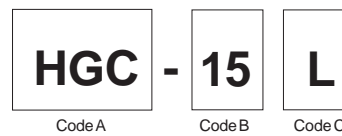
C: Heavy Duty Clip on one end, plug on the other end

L: Lug on one end, plug on the other end

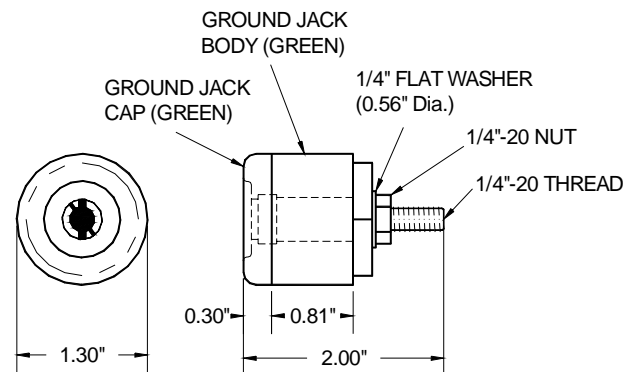
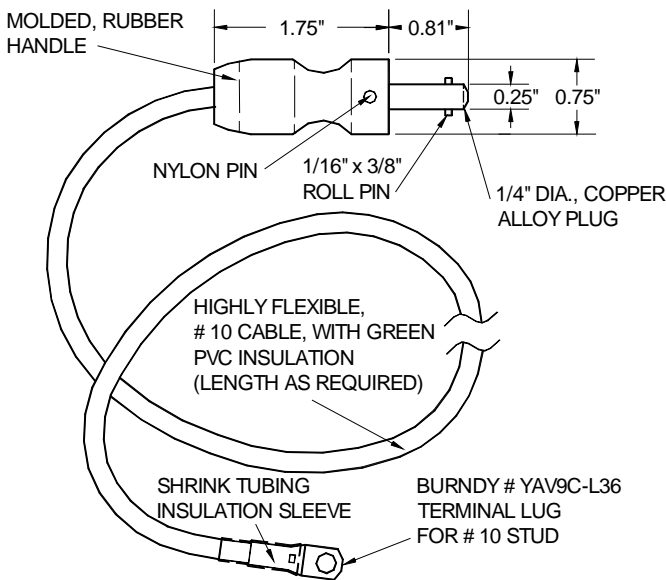
Call the factory for additional equipment or custom requirements.

Example for ISOTROL type HGJ & HGC Product Code

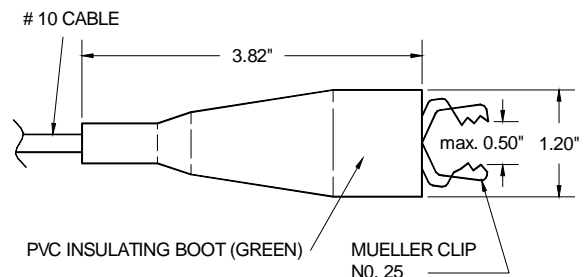
HOSPITAL GRADE GROUND CORD



HOSPITAL GRADE GROUND JACK



MOUNTING HOLE FOR GROUND JACK: 1.00" DIAMETER



Our Address

ISOTROL SYSTEMS
 700 Fox Chase
 Coatesville, PA 19320
 Phone: 800-833-6834
 610-383-9655
 Fax: 610-383-7100
 E-mail: isotrol@bender.org