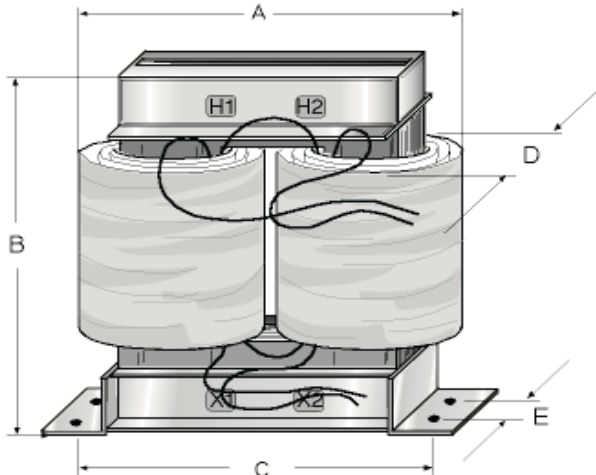


Transformer Dimension Diagram



Dimension Table (inches)

kVA	A	B	C	D	E
3.0	14.0	13.25	12.0	3.5	2.5
5.0	14.0	15.0	12.0	4.0	2.5
7.5	16.0	15.0	15.25	4.5	2.125
10.0	14.0	14.0	12.0	6.0	4.5
15.0	15.0	15.0	12.0	6.5	4.5
20.0	16.0	18.75	11.0	8.0	6.0
25.0	16.0	18.75	11.0	9.0	6.75

Technical Data

kVA	Leakage current *		Noise	%	%	Wt.
	120V sec.	208~277V sec.	dB	Imp.	Reg.	Lb.
3.0	12	18	25	3.75	3.0	65
5.0	20	30	25	3.60	2.6	85
7.5	22.5	33.5	30	3.50	2.6	110
10	25	37	35	4.10	2.6	170
15	30	40	35	4.10	2.6	170
20	32	44	40	4.00	3.0	260
25	34	51	40	4.00	3.0	320

*Maximum Leakage Current (Micro Amps)

ISOTROL SYSTEMS / BENDER MEDICAL PRODUCTS

700 Fox Chase

Coatesville, PA 19320

Phone: 800-833-6834 800-356-4266

610-383-9655 610-383-9200

Fax: 610-383-7100

E-mail: isotrol@bender.org medical@bender.org

Single Phase Low Profile

Product Description

These transformers provide extremely low noise and low leakage. (less than 50 microamps.) This makes them particularly suitable for use in Isolated Power Systems. Such systems find wide usage in critical care areas as ORs, ICUs, CCUs, etc. where an extra layer of electrical safety is desirable.

Suggested technical specifications

- Single phase, 50 or 60 Hz, with primary and secondary voltages as indicated on the contract drawings.
- Class H rated insulation
- Electrostatic shield between primary and secondary windings grounded to enclosure.
- Electrostatic shield designed in a way to prevent direct shorting of primary to secondary windings, and reduce the coupling of harmonic distortions between primary and secondary circuits.
- Core and coils isolated from enclosure by means of suitable vibration dampening system.
- Total leakage current to ground from transformer secondary winding in compliance with UL1047, tables 30.1 and 30.2 and CSA Z32.2.
- Maximum sound level of transformer: 25 dB for units 5KVA or less, 30dB for 7.5KVA, 35dB for 10 - 15KVA units.
- Temperature rise limited to 115 degree C above ambient under full load conditions.
- Transformer UL and CSA recognized as a component, at the voltages, amperages and KVA ratings required.

Contact factory for information on three phase transformers



